

NAME: \_\_\_\_\_ Date: \_\_\_\_\_ Teacher: \_\_\_\_\_

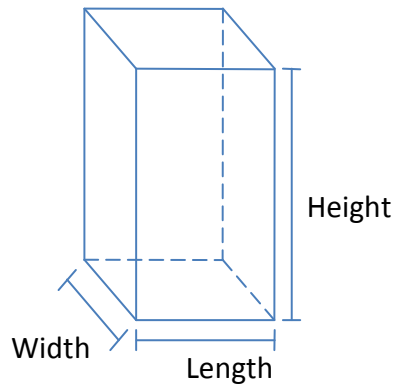


# Volume Worksheet



**PEER**  
peer.berkeley.edu

How wide, long, and tall is your structure?



Length = \_\_\_\_\_ Inches

Width = \_\_\_\_\_ Inches

Height = \_\_\_\_\_ Inches

Now use your measurements you just found to calculate your building volume, you may use the empty space to show your work. To make it easier, try to imagine your structure in multiple pieces:

